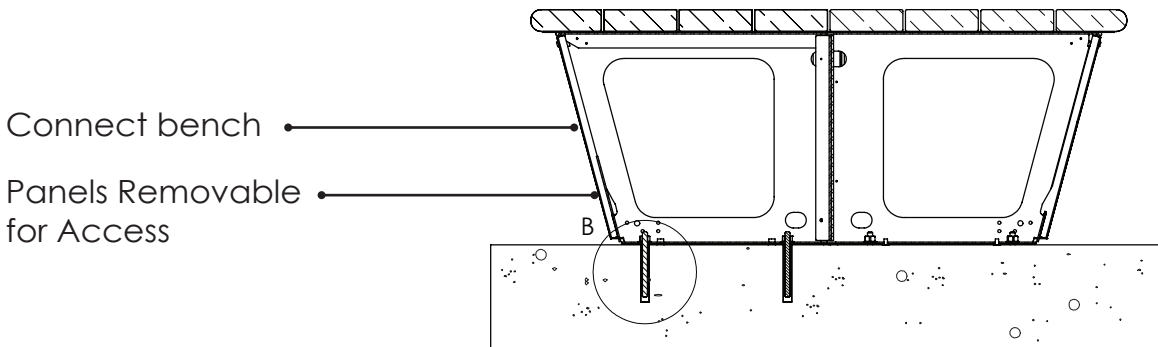
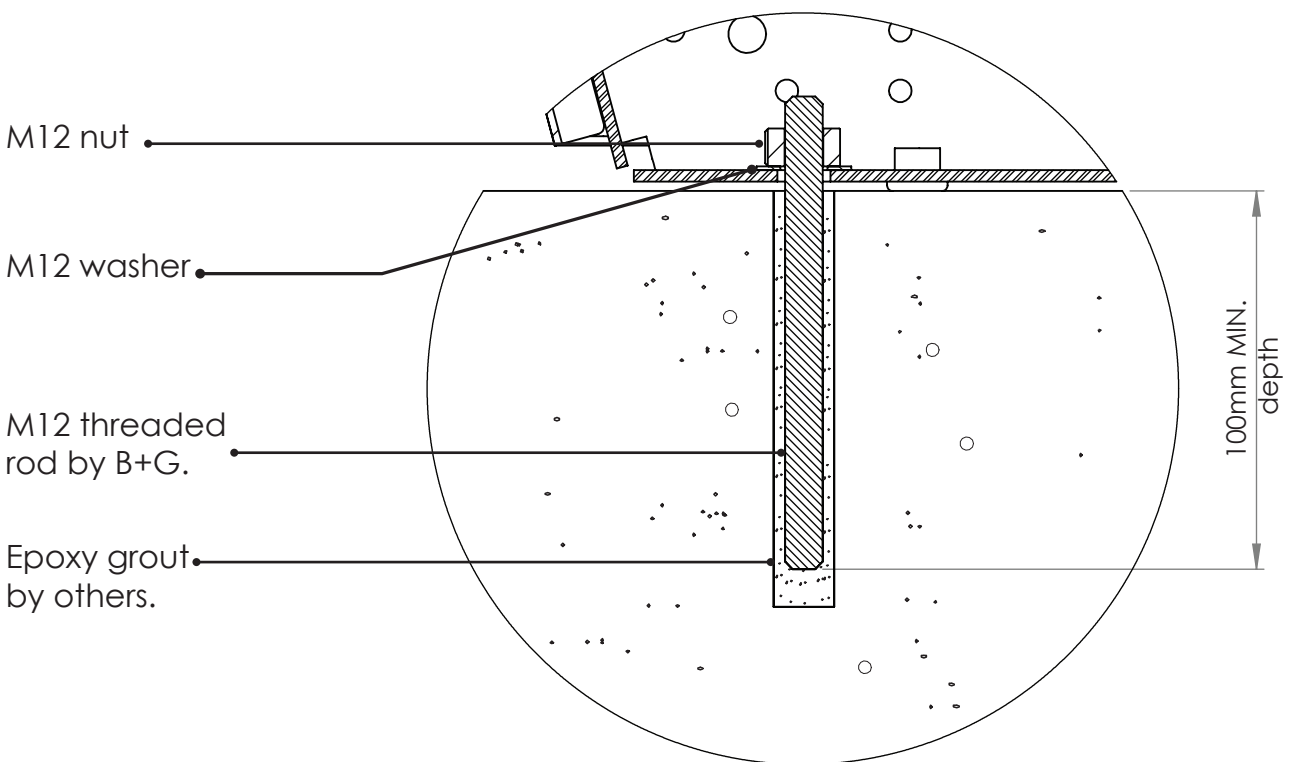


# fixing options for benches & seats

## DETAIL 43 - SURFACE FIXED CONNECT



SECTION



DETAIL

**botton + gardiner**

Phone 1300 762 701 Email [info@bottongardiner.com.au](mailto:info@bottongardiner.com.au)

**DRAWING NOT TO SCALE.**