



# BANQUETTE RANGE

**JACK BANQUETTE**



Jack's bold proportions make him great for creating a generous seating option.

**OLIVIA BANQUETTE**



Olivia's angles nestle you in for a relaxed & comfortable seating experience.

**LUCAS BANQUETTE**



Short, stout & proud. Lucas' low slung profile will complement the open flow of your space.

**AIDEN BANQUETTE**



Classic square cut banquette with practical features make Aiden a versatile option.

**AVA BANQUETTE**



Ava's geometric form gives a clean, modern detail.

**SOPHIA BANQUETTE**



With a classic tapered banquette back, Sophia will compliment any interior.

**MASON BANQUETTE**



Our industrial guy, Mason's compact & concise proportions will lighten your space.

**EMMA BANQUETTE**



Emma's exposed wall and linear character make her an essential for texture combinations.

**LIAM BANQUETTE**



Sophisticated angles and generous proportions make Liam an elegant classic.



Upholstered from high density fire retardant foam with a dacron or stockinette overlay.

Standard wall module can alternatively be specified with a modesty screen or in-built planter.

Option to clad wall faces from a variety of capping materials.

Select from a variety of commercial vinyls, woven fabric or leather

Black laminate standard kicker. (Stainless steel or matching laminate available as as option).

Durable wall and plinth construction from moisture resistant board.

**botton + gardiner**

contract furniture for interiors, shopping centres, accommodation and urban projects

**botton + gardiner**

contract furniture for interiors, shopping centres, accommodation and urban projects



# BANQUETTE RANGE

At botton + gardiner we have used our experience and know-how to design a range of standard banquette and booth seating solutions to suit any décor. Featuring robust construction and commercial grade fire retardant foam, they can be upholstered with fabric, vinyl or leather and with a choice of finishes including laminates or timber veneers with optional solid surface, engineered stone or solid timber capping - the possibilities are limited only by your imagination. Choose from our extensive range of designs all available in a variety of modules that can be configured to suit your specific project. Talk to one of our Business Development Managers today about the right banquette for you.

## Product Details

Length	1200mm Standard (Customisable)
Seat & Back	Upholstered high density fire retardant foam with selected vinyl, woven fabric or leather
Kicker	Black laminate standard. Stainless steel skirt optional
Wall Depth	Standard & screen series 200mm, Planter series 400mm
Wall	Laminate clad with custom options
Fixing	Surface fixed

## Colour Options - Fabric

 Customer's Own Material

## Colour Options - Plinth (Standard)

 Black Laminate

## Colour Options - Wall (Standard)

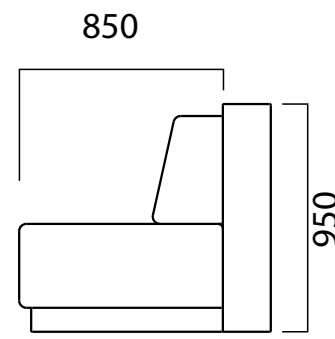
 Laminex standard colour range

 Made in Australia

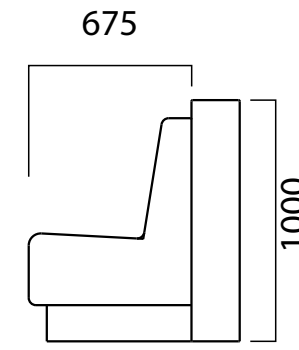
 2 Year Warranty



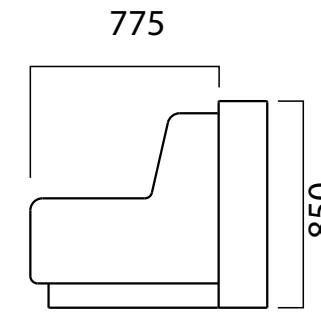
## Choose your design



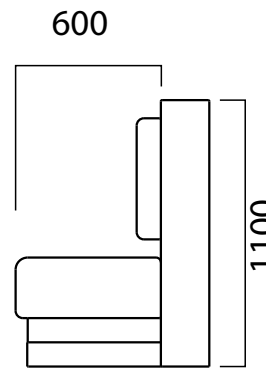
Jack Banquette



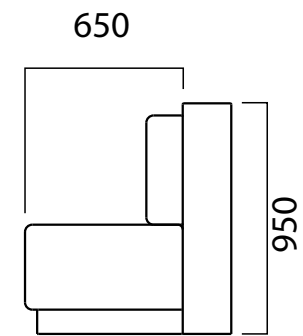
Olivia Banquette



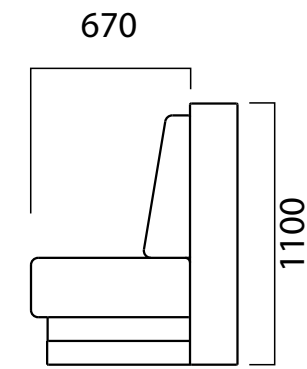
Lucas Banquette



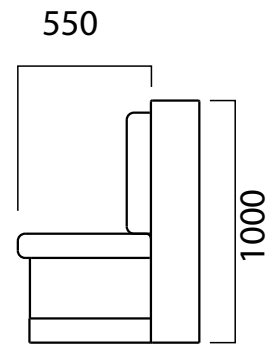
Aiden Banquette



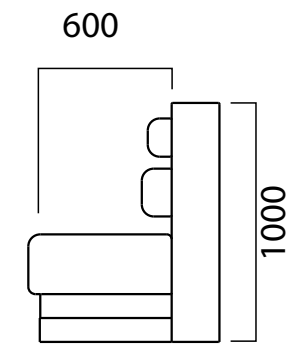
Ava Banquette



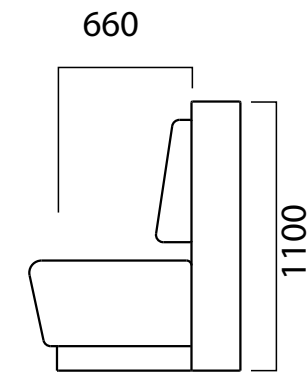
Sophia Banquette



Mason Banquette



Emma Banquette

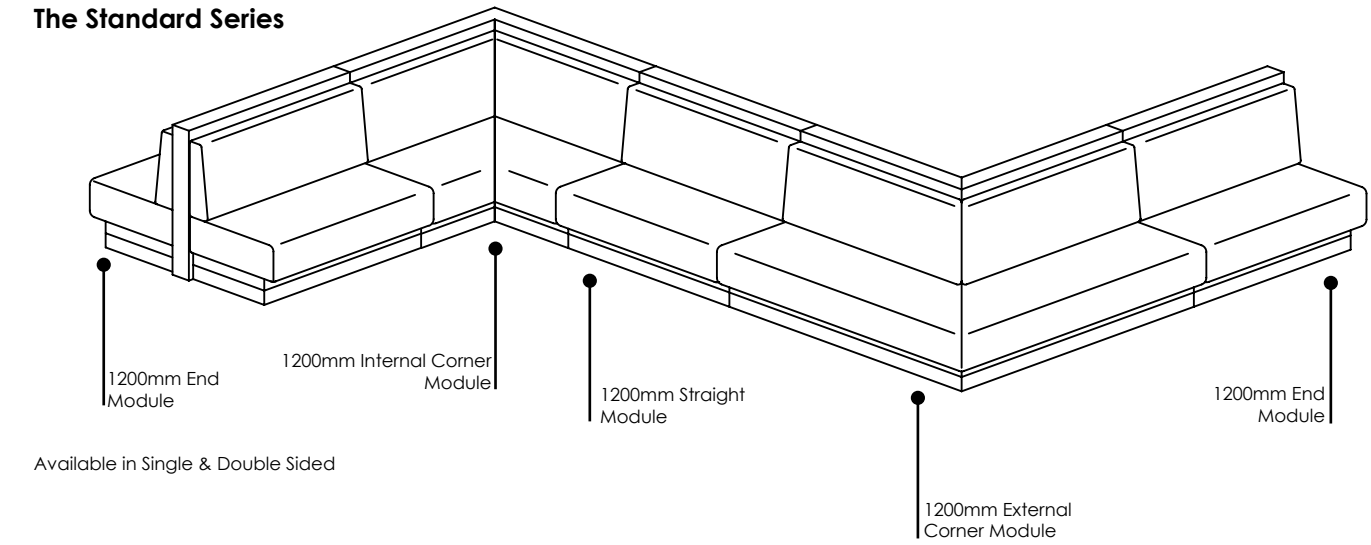


Liam Banquette

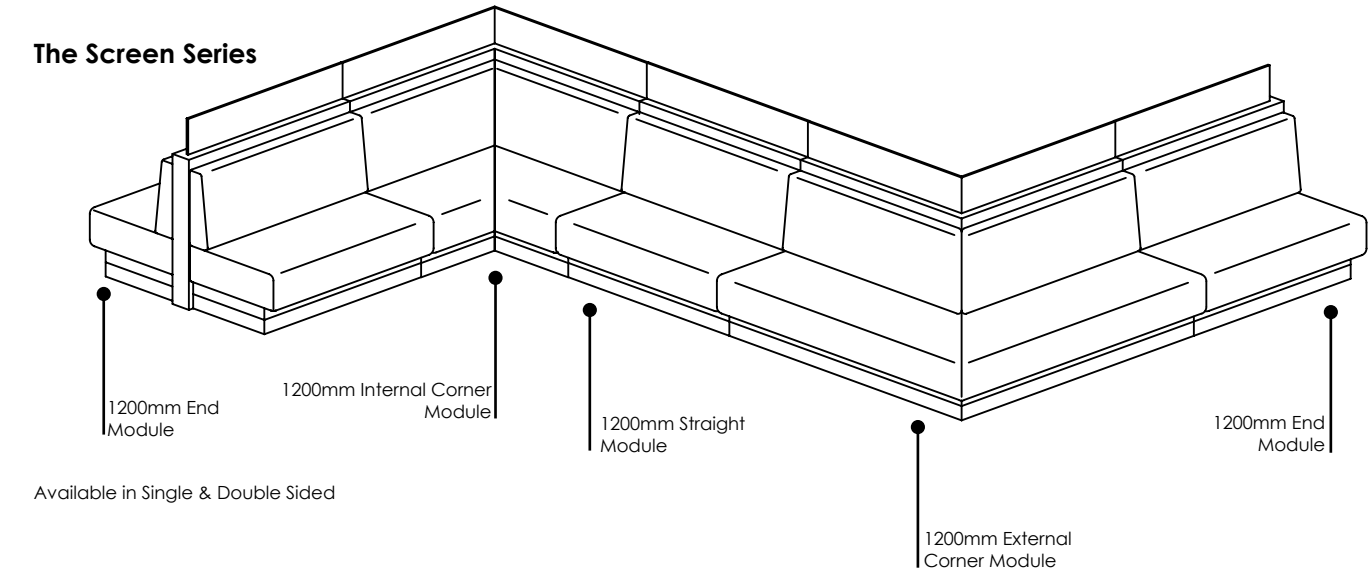
Wall depth varies accordingly to its series

## Create your specific banquette from our module series

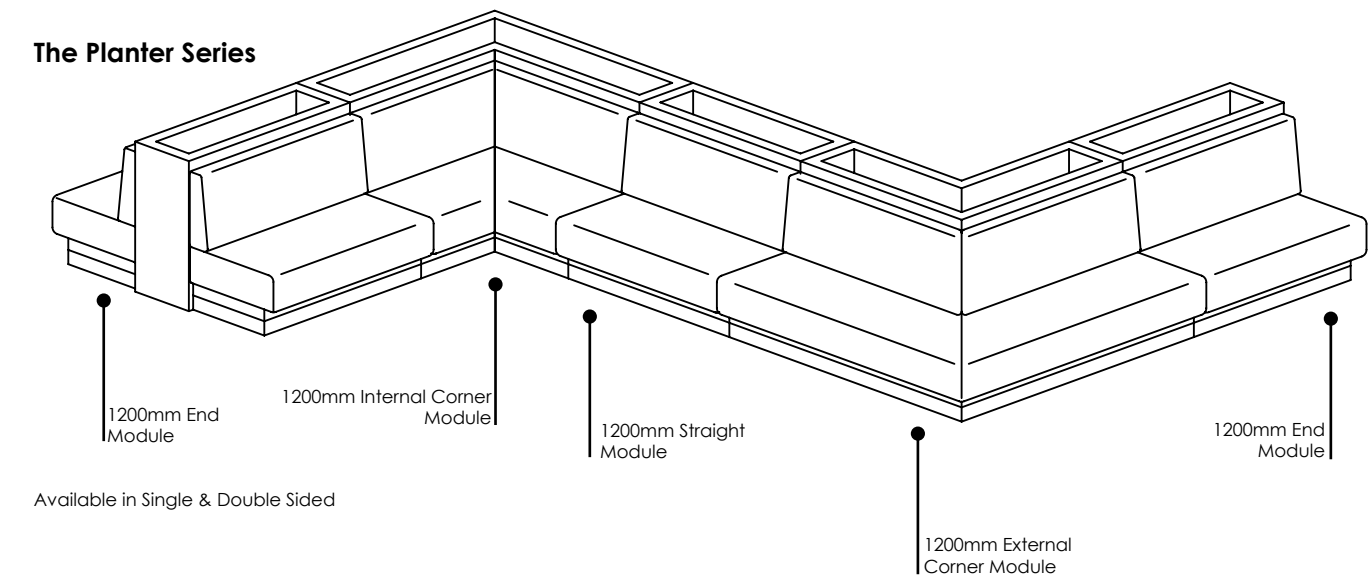
### The Standard Series



### The Screen Series



### The Planter Series



**botton + gardiner**

contract furniture for interiors, shopping centres,  
accommodation and urban projects