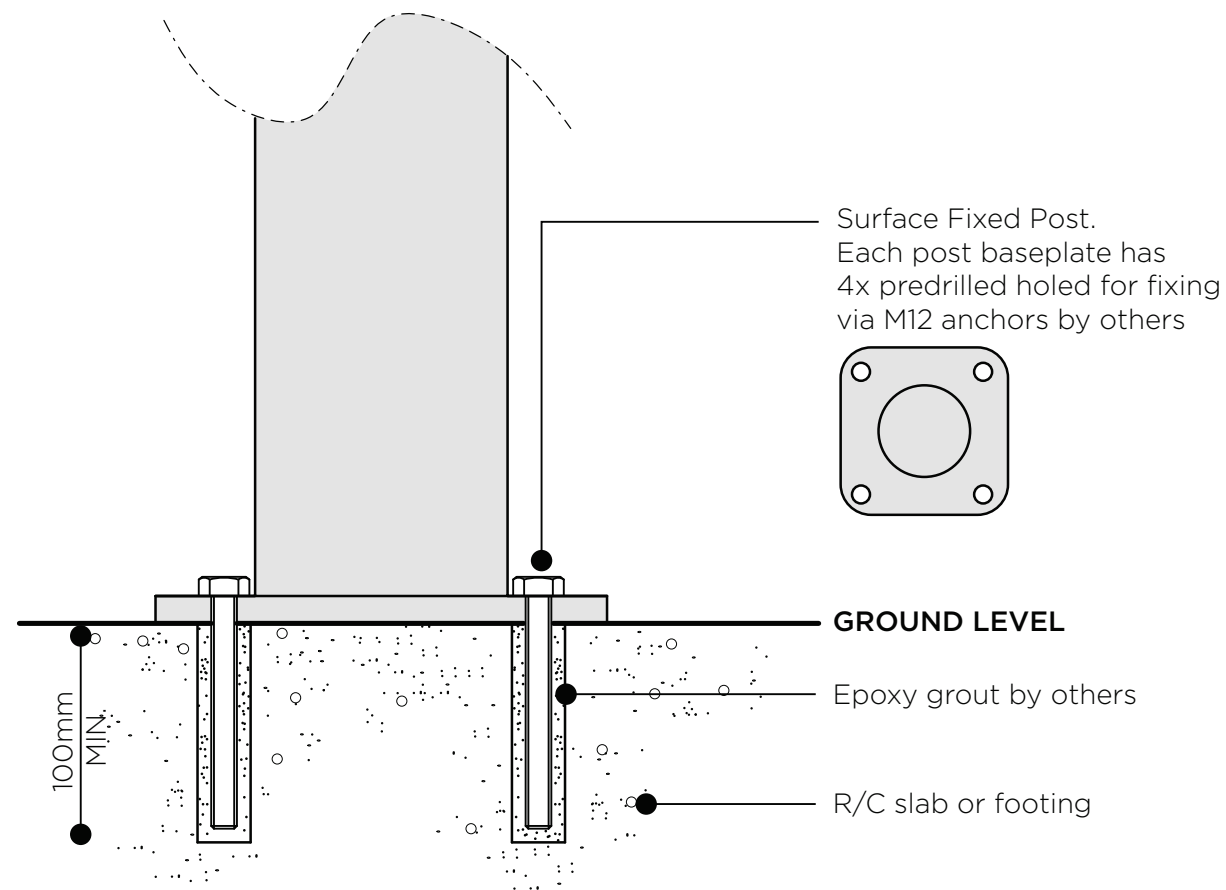


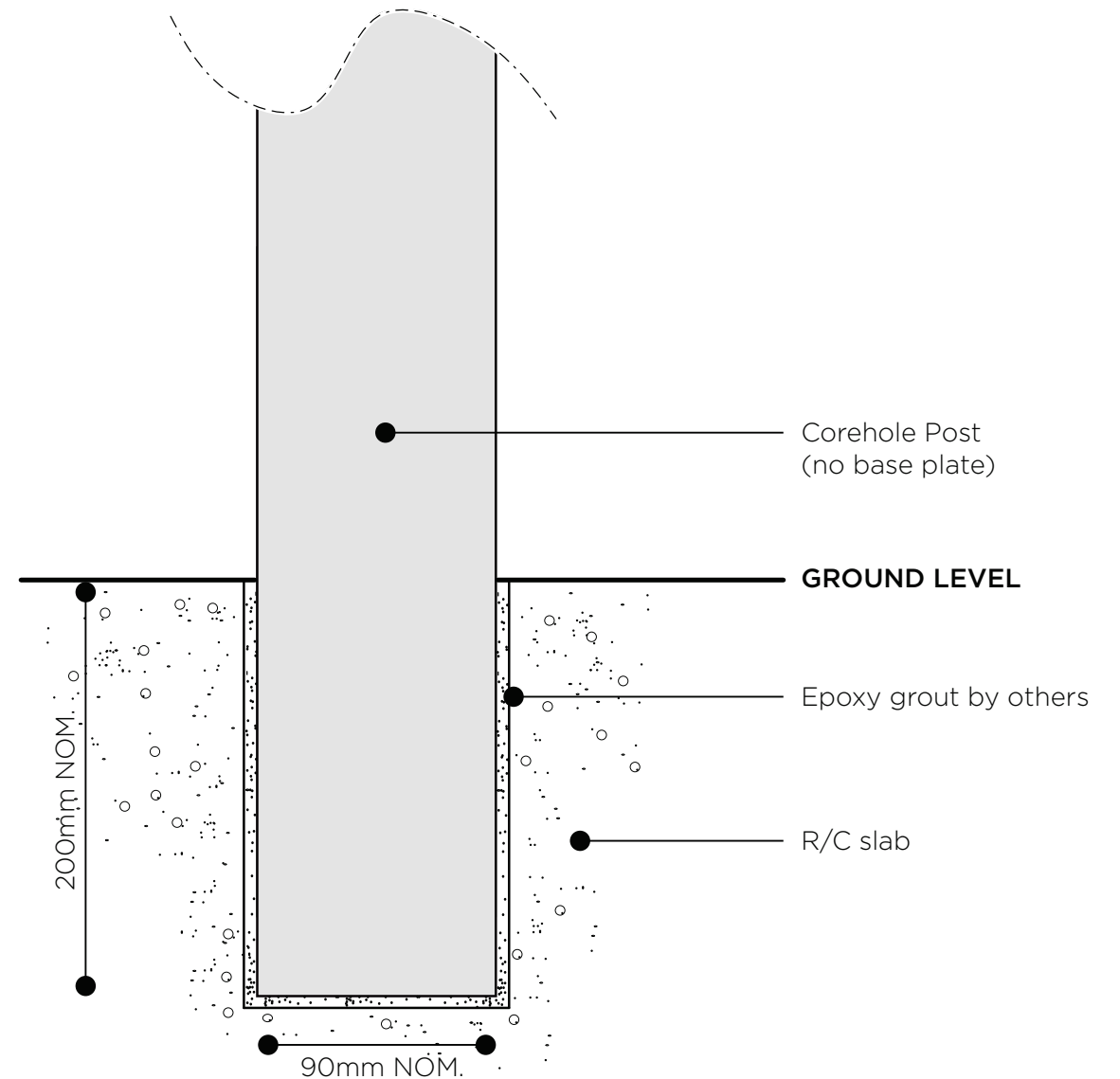
FIXING: POST

SURFACE FIXED



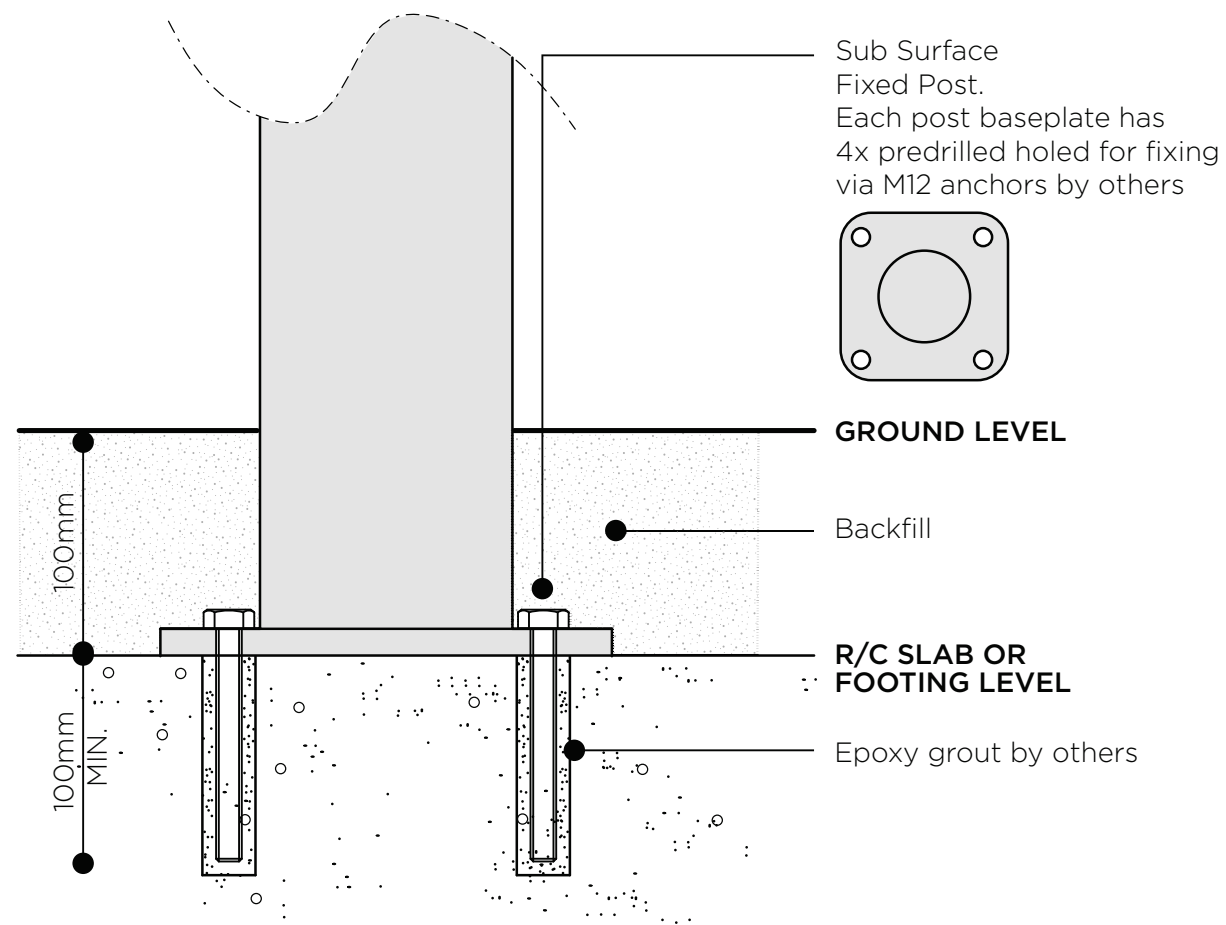
FIXING: POST

CORE HOLE FIXED [BY REQUEST]



FIXING: POST

SUB SURFACE FIXED



INCLINED INSTALL
Utilising custom height Core Holed Posts
(Additional cost applies)

