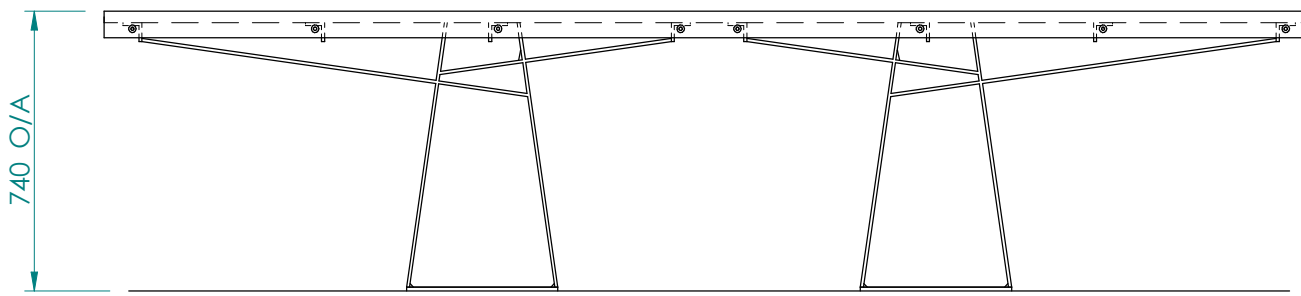
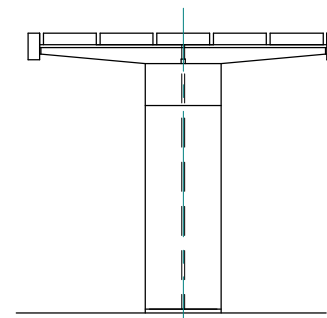


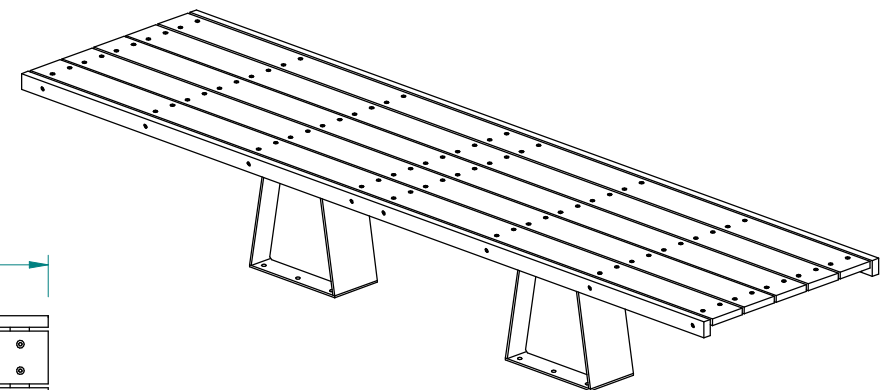
TOP VIEW



FRONT VIEW



SIDE VIEW



ISOMETRIC VIEW
(NOT TO SCALE)

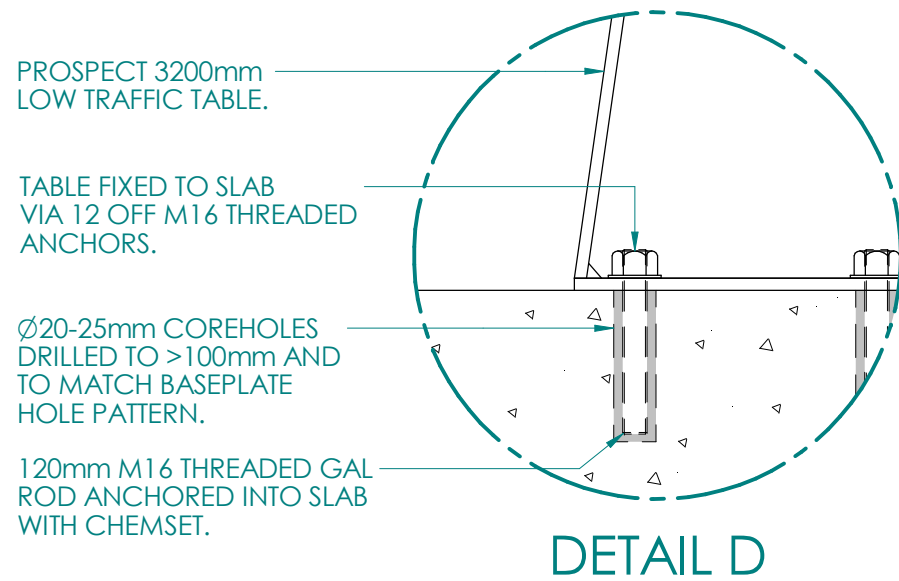
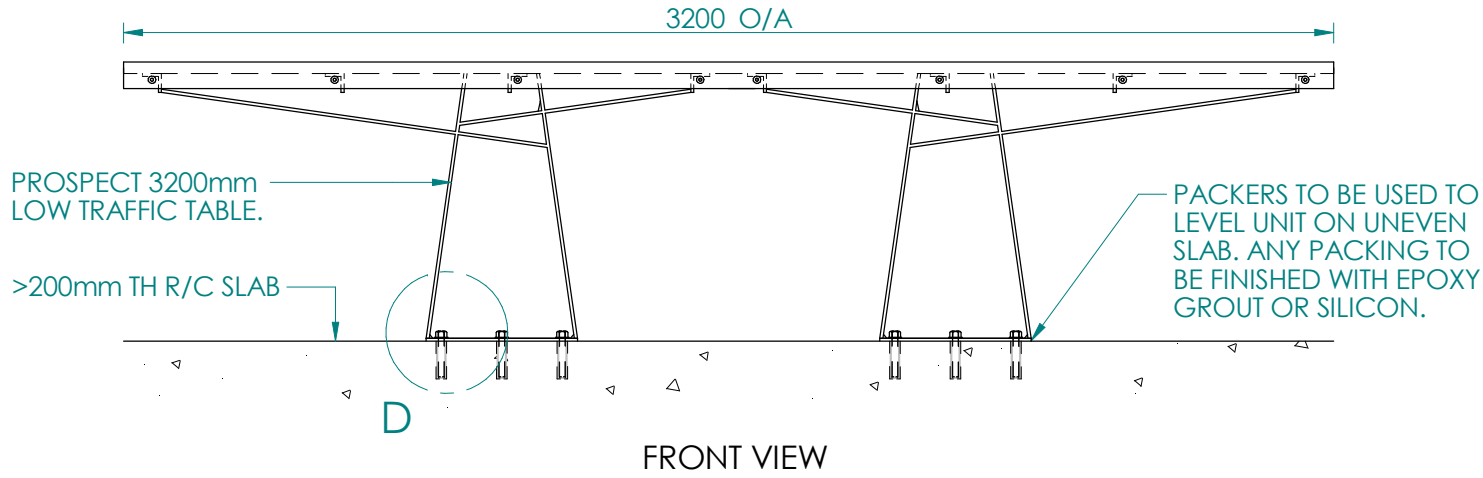
MATERIALS

FRAME - WELDED MILD STEEL W/ FINISH AS SPECIFIED.

BATTENS - DURASLAT AS SPECIFIED.

ISSUE	DATE	DESCRIPTION
 botton + gardiner urban furniture		
<small>ABN 39 097 110 846 53-55 Whiting St Artamon NSW 2064 ph 1300 762 701 fax 1300 762 703</small>		
PROJECT PTT.32.DS 3200mm PROSPECT TRUSS TABLE TITLE GENERAL ASSEMBLY		
APPROVED	DATE	
DATE DRAWN 2/06/14	SCALE 1:20	SHEET SIZE A4
CAD FILE PTT.32.DS.dff	DRAWING NO. PTT.32.DS_1	
DRAWN BY PATRICK PARAAN		

**PROSPECT TRUSS TABLE
TYPICAL INSTALL DETAIL**

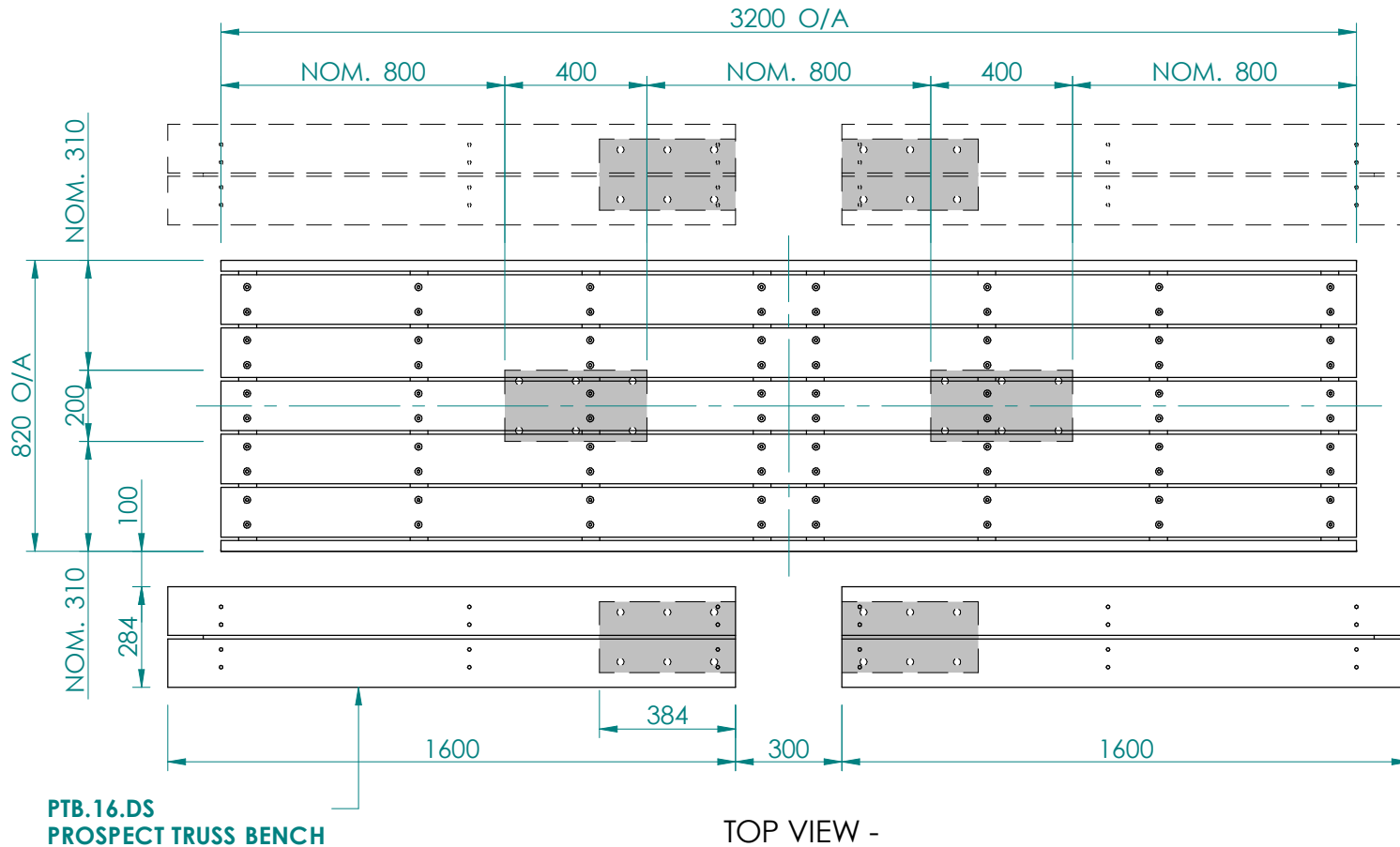


ISSUE	DATE	DESCRIPTION
 botton + gardiner urban furniture		
<small>ABN 39 097 110 846 53-55 Whiting St Artamon NSW 2064 ph 1300 762 701 fax 1300 762 703</small>		
PROJECT PTT.32.DS 3200mm PROSPECT TRUSS TABLE TITLE TYPICAL INSTALL DETAILS		
APPROVED	DATE	
DATE DRAWN 2/06/14	SCALE 1:10	SHEET SIZE A4
CAD FILE PTT.32.DS.dff	DRAWING NO. PTT.32.DS_4	
DRAWN BY PATRICK PARAAN		

© botton + gardiner urban furniture pty limited
 BOTTON & GARDINER URBAN FURNITURE PTY LIMITED IS THE AUTHOR OF THIS DRAWING AND
 RETAINS THE RIGHT TO ITS REPRODUCTION & DISTRIBUTION.
 THIS DRAWING IS NOT TO BE REPRODUCED OR DISTRIBUTED WITHOUT CONSENT OF ITS AUTHOR.

DIMENSIONS IN MM
DO NOT SCALE

PROSPECT TRUSS TABLE TYPICAL INSTALL DETAIL



**SHOWING TYPICAL LOCATION OF BASEPLATES.
ALL DIMENSIONS TO BE TAKEN FROM DELIVERED
PRODUCT AS SOME VARIATION MAY OCCUR .**

ISSUE	DATE	DESCRIPTION
 botton + gardiner urban furniture		
<small>ABN 39 097 110 846 53-55 Whiting St Artamon NSW 2064 ph 1300 762 701 fax 1300 762 703</small>		
PROJECT PTT.32.DS 3200mm PROSPECT TRUSS TABLE TITLE TYPICAL INSTALL DETAILS		
APPROVED	DATE	
DATE DRAWN 2/06/14	SCALE 1:10	SHEET SIZE A4
CAD FILE PTT.32.DS.dff	DRAWING NO. PTT.32.DS_5	
DRAWN BY PATRICK PARAAN		